



Islamic Relief Kenya

**TENDER DOCUMENT FOR
REHABILITATION WORKS AT SHEIKH BARROW BOREHOLE IN LAFEY SUBCOUNTY,
MANDERA COUNTY**

REF NO: IRK/MEWIS/MDR/005/03/2025

ISSUED ON: THURSDAY 13th MARCH 2025

CLOSING DATE: WEDNESDAY, 26TH MARCH 2025 11.00 AM

NAME AND CONTACT OF PROCURING ENTITY:

Islamic Relief Kenya
Kirichwa Road, off Ngong Road
P.O.BOX 417 – 00202 KNH, Nairobi
Email: procurement.Irk@islamic-relief.or.ke

NSTRUCTION TO BIDDERS

Established in 1984 in the UK, Islamic Relief is an international NGO seeking to promote sustainable economic and social development by working with local communities through relief and development activities regardless of race, color and religion, and without expecting anything in return.

IR started operations in Kenya in 1993 on orphan's sponsorship programme through a local CBO in Mandera District, Northern Kenya. It opened its fully fledged office in March in 2006 at the height of drought in the Horn of Africa. Since then, IR has been providing humanitarian and development assistance to vulnerable communities. Over these years it has implemented various development and relief activities in Mandera. This has remarkably changed the lives of the vulnerable and disadvantaged communities. In January 2010, IRK extended its operation to Wajir County and in January 2012 expanded to Garissa and Dadaab, and in October 2017 opened a programme office in Kilifi County.

Islamic Relief Kenya focuses on resilience projects namely: Food Security and Livelihoods, Water Sanitation and Hygiene, Cash Transfer Programming, Orphans Support and Sponsorship, women Empowerment, Education and Peace-building.

In Mandera County, IRK is implementing a 24 months project "***Mandera Education and WASH Integrated Support Project***" which aims to empower the vulnerable communities in Mandera county through the provision of integrated Community Support interventions with components on education, and WASH.

The project activities will be in line with the local government strategic plans including the Mandera CIDP 2023-2027 & IR Kenya 2024 Business Plan, NDMA Plan IRK will take deliberate steps to support Mandera communities in their journeys to self-reliance through capacity building of relevant ministries at the National, County and Sub-counties levels, and increased efforts to involve county department officials in the routine monitoring and supervision of education and WASH interventions. IRK will also provide adequate training for direct beneficiaries with the end goal of sustainable programming.

IRK is planning to undertake Rehabilitation works at Sheikh Barrow borehole in Lafey Subcounty, Mandera County to enhance quality access to water among the target communities.

A complete set of tender documents may be obtained Free of Charge by interested candidates by downloading from the link provided: Islamic Relief Kenya website: <https://islamic-relief.or.ke>

Bid Submission Format:

Eligible bidders can download a complete set of tender documents with evaluation criteria from the Islamic Relief Kenya website: <https://islamic-relief.or.ke> Complete one tender document in pdf format (max 25mb) with subject as tender name and reference number to be submitted via email tenders@islamic-relief.or.ke no later than **March 26th March , 2025 at 11:00 am**

A complete set of tender documents may be obtained Free of Charge by interested candidates by downloading from the link provided: Islamic Relief Kenya website: <https://islamic-relief.or.ke>

Interested bidders are advised to read the submission instructions carefully to ensure compliance

Submission Email: To be submitted via email: tenders@islamic-relief.or.ke

Single PDF Document: Each bid must be submitted as a single, consolidated PDF document (Max 25mb). Multiple or fragmented submissions will not be accepted.

Bidder Email: Interested bidders may submit their bids **ONLY** from the official email address of the bidder or company

Direct PDF Attachment Only: Bid documents must be attached directly as PDF files in the submission email. Links to external file-sharing platforms, such as Google Drive or Dropbox, are not permitted and will not be reviewed.

Subject Line Specification: Bidders must include the tender name and reference number in the email subject line to ensure proper filtering and identification of submissions.

Tender Title: Rehabilitation Works at Sheikh Barrow Borehole in Lafey Sub County, Mandera County

Disqualification Notice: Failure to adhere to these submission requirements will result in the disqualification of the bid.

INSTRUCTION TO BIDDERS

PROCURING ENTITY: ISLAMIC RELIEF KENYA. P.O BOX 417-00202 KNH, Nairobi

TENDER TITLE: REHABILITATION WORKS AT SHEIKH BARROW BOREHOLE IN LAFEY SUBCOUNTY, MANDERA COUNTY

1. All Tenders must be accompanied by a Bid Bond at least 10% of the quoted amount valid for 180 days.
2. Electronic Tender will not be permitted.
Late tenders will be rejected

3. Work Scope and Sites Details

The tender is for undertaking the following components as per Annex I – BoQ and Annex II – Drawings: Rehabilitation works at Sheikh Barrow borehole in Lafey Subcounty, Mandera County.

4. Eligible Bidders

The invitation for the bids is open to all interested eligible Companies/individuals who are duly registered with the national government, respective County governments and National construction authorities.

5. Services

All services to be done under the contract shall have their measurement and shall not be subcontracted.

6. Cost of Bidding

The bidders shall bear all costs associated with preparation and the submission of its bid & IRK will in no case be responsible for those costs, regardless of the conduct or outcome of the bidding process.

7. Clarification of Bidding Documents

Interested eligible candidates who may want to obtain further information or seek for clarification can do so by sending an email to Procurement.Irk@islamic-relief.or.ke OR +254 727531220 / 2543861216. IRK will respond in writing to any request prior to the deadline.

If you have any concerns – relating to this tender or otherwise – or want to make a complaint please: Call us on +254 700 200 849 Email us at: complaints@irworldwide.org

8. Amendment of Bidding documents

At any time prior to the deadline for submission of bids, IRK May for any reason, at its own initiative or in response to a clarification requested by a prospective bidder, modify the bidding documents & will be binding on them. The amendment will be notified in writing to all prospective bidders, who have received the bidding documents & will be binding on them. In order to allow prospective bidders responsive time in

Tender Document for Rehabilitation works at Sheikh Barrow borehole in Lafey Subcounty, Mandera County.

which to take the amendment into account in preparing their bids, IRK may, at its discretion, extend the deadline for bid submission.

9. Language of the Bid

The bid prepared by the bidder, as well as all correspondence & documents relating to the bid, supporting documents and printed literature furnished by the bidder shall be written in English language.

10. Bid Document Comprises.

The bid document prepared by the bidder shall comprise of the following:

- a) Each page of the tender document is serialized.
- b) Form of tender signed and stamped by the authorized person.
- c) Tender submitted with tender security as required (bid bond 10% of the quoted amount)
- d) Completed and signed confidential business questionnaire form.
- e) Certified Copy of Certificate of Incorporation/Registration.
- f) Disclosure of business ownership (Directors/ Partners /Sole Proprietor). Attach a copy of CR12 Form
- g) Certified Copy of Current Tax Compliance certificate from Kenya Revenue Authority – must verifiable online –itax
- h) KRA PIN with VAT obligation
- i) Certified Copy of Valid and current Business Permit
- j) Certified copy of Valid registration for National Construction Authority NCA 7 and above – water and building works
- k) Bidder to provide self-declaration that the person/tenderer will not engage in any corrupt or fraudulent practice.
- l) Only certified Statement of comprehensive income for the last three years (Max. 3 pages) signed by auditors.
- m) Company Profile with brief business description, physical location, address and company structure (Max. 5 pages).
- n) Evidence of Past Experience in Similar work done for the last 5 years e.g. at least 5 signed contracts supported by LPO and Certificate of Completion
- o) Copy of ID/Passport for Company Owner/Director
- p) Bid bond (10% of the quoted amounts)
- q) Key Technical staff and their CVs (Key people but not more than four CVs)
- r) List of Key Equipment (**only** relevant equipment).
- s) Detailed workplan and methodology statement: Work plan demonstrating flow of work from inception to site hand over) (Max 3 pages)
- t) Bank Statement for 6 months (1st September 2024 – 28th February 2025)
- u) Duly filled Tender B.o.Q and forms in the format provided
- v) All copies of certified/mandatory documents must be Certified by a Commissioner of Notary/ Oath.

NB: - Partial delivery of the documents will lead to disqualification. Preference shall be given to qualified local supplier with valid licenses.

- *The bidder may solely at own time, convenience and cost consider to undertake a physical visit and assessment of the particular site for the proposed works prior to the compilation of the bid.*

11. Bid Currencies

The bids prices shall be quoted in Kenya Shillings (KES).

12. Bids Prices

- The potential contractor shall submit his/her bid in the BOQ format provided in Annex I
- The bidders shall indicate the unit price where possible and the total bid price as indicated in the BOQ.
- Prices quoted by the bidder shall be fixed during the performance of the contract.

13. Withholding Tax

IRK shall retain 3% of contract value as withholding tax and remit to the government. A receipt shall be issued for this.

14. Retainer

IRK shall retain 10% of the contract value for a period of 6 months being defect liability.

15. IRK's right to vary quantities at the time of the award

IRK reserve the right at the time of the award of contract to increase or decrease by up to 10% the quantity of work specified in the technical specification without change of unit price or other terms of condition.

16. IRK's right to accept any bid and/or reject any or all bids

IRK reserves the right to accept any bid and to annul the bidding processes and reject all bids at any time prior to award of contract, without, thereby incurring any liability to the affected bidder or bidders or any obligation to inform the affected bidder or bidders on the grounds of its action.

17. Submission of Bids

Complete one tender document in pdf format (max 15mb) with subject as tender name and reference number to be submitted via email tenders@islamic-relief.or.ke

18. Evaluation

18.1 IRK will examine the prequalification documents to determine completeness, general orderliness, sufficiency in responsiveness, price and product brand.

18.2 The potential contractor shall not contact IRK on matters relating to their bid from the time of opening to completion and official communication sent to them. Any effort by the potential contractor to influence IRK in the evaluation shall result in disqualification.

18.3 Prequalification will be based on meeting the minimum criteria regarding the applicant's legal status, general and experience, personnel and financial position as demonstrated by their responses as set in clause

18.4 The applicants **MUST** have registered offices and IRK reserves the discretion of visiting physical premises from which the applicant conducts business if so desired to confirm existence and capability to execute the contract.

18.5 Due diligence shall be undertaken, and any bidder found to be in breach by providing false information shall be disqualified.

19. Employment of Minors

The Contractor shall not employ children in executing the contract. The Contractor shall observe

Tender Document for Rehabilitation works at Sheikh Barrow borehole in Lafey Subcounty, Mandera County.

international conventions relating to child labor namely the UN Convention No.182 on worst forms of child labor and convention No. 138 on the minimum age for admission to employment.

20. Criminal Act

The Contractor undertakes to comply with all applicable laws and to ensure that it does not engage in any kind of criminal activity including but not limited to bribery, fraud, corruption, terrorism and to maintain ethical business practices as well as not to commit any Prohibited Acts defined as: -

- i) To offer, promise or give any person a financial or other advantage.
- ii) To request, agree to receive or accept any financial or other advantage not expressly provided for as an inducement or a reward for the performance of any function or activity in connection with this Agreement.

BID EVALUATION RATING SCALE
MANDATORY REQUIREMENTS

No	Description	YES/NO
1	Company Registration Certificate – Mandatory	
2	CR12- issued within the last 3 months	
3	Duly filled forms (Organization details, Grounds for Mandatory Rejection, Grounds for Discretionary rejection form, Bid Value, Financial and declaration)	
4.	Valid Registration with the county government/valid and genuine business permit.	
5.	Valid Registration with (NCA7 and above). (Water Works)	
6	Active KRA PIN – With VAT Obligation	
7	Valid Tax Compliance	
8	Copy of ID/ Passport of the directors	
9	Serialization of the Bid – Bidders shall sequentially serialize all pages of the tender submitted	

Note: **Bids lacking any of the documents listed as mandatory will not be considered for either technical or financial evaluation.**

TECHNICAL ANALYSIS

No.	Description	Score
1	Brief Company Profile with verifiable physical location/address	10
2	List of Key Equipment	Owned (Max 15 marks)
		50% Owned – 50% leased (Max - 7)
		100% leased (Max. 5 Marks)
3	List of Key Personnel (Degrees- 10, HNDs – 6, Diplomas – 4)	20
4	Number of Years in Operation at least 5 years 1yr - 2 marks 2yrs- 4 marks 3yrs- 6 marks 4yrs- 8 marks 5yrs & above – 10 marks	10
5	Evidence of past similar works – Contract, LPO & Completion certificates.	-5 or More = (Max. 30 marks)
		4 LPOs, contracts & completion cert. (Max 24 marks)
		3 LPOs, contracts & completion cert. (Max 18 marks)
		2 LPOs, contracts & completion cert. (Max 12)
		30

		1 LPO/contracts/completion cert (Max 4 Marks) Note: the contract/LPOs/completion certificate must be readable, signed and stamped by the issuing authority for authentication.	
6	Detailed work plan and methodology statement	Detailed workplan and methodology statement: Work plan demonstrating flow of work from inception to site hand over) (Max 3 pages)	10
	TOTAL	100	

N/B: Bids who will not score 80% and above in the technical analysis will automatically be disqualified and shall not be considered for financial evaluation.

FINANCIAL ANALYSIS

No.	Description		Maximum
1	Certified Bank statement for the past six months (Aug 2024 – Feb 2025)	Certified bank statement for 6 months. Uncertified bank statement -0	25
2	Evidence of a Certified letter of credit from the reputable from reputable bank.	Certified letter (signed & stamped) of credit.	25
	TOTAL		50

Note: Bids that do not score 50 % or above in the financial analysis shall not be considered for due diligence.

Tender Schedule

<u>Task</u>	<u>Date</u>
Advertising of tender	13 th March 2025
Closing of tender	Wednesday, 26 th March 2025 11:00 am
Opening of tender	Wednesday, 26 th March 2025 11:00 am
Evaluation	27 th to 31 st March 2025
Award	1 st April 2025

MANDATORY QUESTIONNAIRE

A: Organization and Contact Details

<u>Full Name of Organization</u>			
<u>Date of Registration</u>			
Registration Certificate Number			
Street		Road	
Address		Code	
Town			
Email		Telephone No.	
PIN No.			
Name of Parent Company			
Type of Organization		A Public Limited Company	
		A Limited Company	
		A Limited Liability Partnership	
		Other Partnership	
		Sole Trader	
		Other (Please Specify)	

Name of Owners

Name	ID/Passport No.	Nationality

DETAILS FOR CONTACT PERSON

Contact details for enquiries about this PQQ/Business Issues

Name of Staff	
Address	
Post Code	
Town	

Phone	
Mobile	
Email	

B - Grounds for Mandatory Rejection

Important Notice:

In some circumstances IRK is required by law to exclude you from participating further in a procurement. If you cannot answer ‘no’ to every question in this section it is very unlikely that your application will be accepted, and you should contact us for advice before completing this form.

Please state ‘Yes’ or ‘No’ to each question.

Has your organization or any directors or partner or any other person who has powers of representation, decision or control been convicted of <u>any of the following offences?</u>	Answer
(a) A crime	
(b) Corruption	
(c) The offence of bribery;	
(d) Fraud within the meaning of:	
i) Money laundering	
ii) Any other offence	

Has your organization fulfilled obligations related to the payment of social security contributions or the payment of taxes in accordance with the legal? Answer with a “Yes” or “No”	
---	--

C - Grounds for Discretionary Rejection

Important Notice:

IRK is entitled to exclude you from consideration if any of the following apply but may decide to allow you to proceed further. If you cannot answer ‘no’ to every question it is possible that your application might not be accepted. In the event that any of the following do apply, please set out (in a separate Annex) full details of the relevant incident and any remedial action taken subsequently. The information provided will be taken into account by IRK in considering whether or not you will be able to proceed any further in respect of this procurement exercise.

Please state ‘Yes’ or ‘No’ to each question.

Is any of the following true of your organization?	
(a) <u>Is bankrupt</u> or under receivership or bankruptcy restrictions order made against the organization	
(b) <u>Is insolvent</u> ,	
(c) <u>Is</u> the subject of an order by the court winding up otherwise than for the purpose of bona fide reconstruction or amalgamation, or had a receiver, manager or administrator on behalf of a creditor appointed in respect of the company’s business or any part thereof or is the subject of similar procedures under the law of any other state?	

Has your organization	
(a) been convicted of a criminal offence relating to the conduct of your business or profession;	
(b) committed an act of grave misconduct in the course of your business or profession;	
(c) failed to fulfil obligations relating to the payment of social security contributions	
(d) failed to fulfil obligations relating to the payment of taxes under the	
(e) been guilty of serious misrepresentation in providing any information required	

D – Bid Value & Duration of Supply

<i>Bid Value for the Work</i>	<i>Kshs.</i> _____
<i>Payment Terms</i>	
<i>Duration of Delivery</i>	
<i>Remarks</i>	

E - Financial

1	BANK INFORMATION	
1.1	<i>Bank</i>	
	<i>Branch</i>	
	<i>Account Name</i>	
	<i>Account Number</i>	
	<i>Swift Code</i>	
	<i>Letter From Bank Confirming Account & Credit Facility</i>	

F Declaration Declaration

2.	<p>I declare that to the best of my knowledge the answers submitted in this bid document are correct. I understand that the information will be used in the process to assess my organization's suitability to be invited to tender for Islamic Relief's requirement and I am signing on behalf of my organization. I understand that the Contracting Authority may reject this bid if there is a failure to answer all relevant questions fully or if I provide false/misleading information. By signing the bid document, I certify that all of the above statements are accurate and factual.</p> <p style="text-align: center;">FORM COMPLETED BY</p>
-----------	--

2.1	Name:	
2.2	Position:	
2.3	Signature:	
2.4	Date:	
2.5	Stamp:	

ANNEX I: B.O.Q

ISLAMIC RELIEF KENYA

Kirichwa Road
P.O Box 417-00200, KNH
Nairobi, Kenya



Tel: 0727531220/0734740074

Email: info@islamic-relief.or.ke

Ref:

Date:

**BILL OF QUANTITIES FOR REHABILITATION WORKS AT SHEIKH BARROW BOREHOLE
IN LAFEY SUBCOUNTY, MANDERA COUNTY**

ITEM	DESCRIPTION	UNIT	QTY	RATE	AMOUNT
BILL No.1: PRELIMINARIES AND GENERALS					
A	Provide, fabricate and install MS Signboard (1.5mx1.5m) raised 1.5m above ground complete with appropriate paintwork, Islamic Relief Logo and Project details on either side.	Item			
TOTAL CARRIED TO GRAND SUMMARY					
BILL No.2: REPAIRS OF THE EXISTING 1 No. GENSET					
2.1	Repair and Servicing of 1 No. Genset (Model LTG184GB) , Manufactured by FOSHAN LEATECK ELECTRIC CO. LTD. <i>Photos attached at the appendix</i>				
A	Supply, deliver to site and install Nozzles	Set	1		
B	Supply, deliver to site and install new return pipes	Set	1		
C	Remove existing, Supply and Install new Self-Starter	No.	1		
D	Supply, deliver to site and install new fan belt	Set	1		
E	Remove existing, Supply and Install new Alternator	No.	1		
F	Supply and Install N70 Battery	No.	2		
G	Supply and change of Engine Oil	Lts	10		
H	Supply and replacement of Engine Oil Filter	No.	1		
I	Supply and replacement of Air Cleaner	No.	1		
J	Supply and replacement of Fuel Filter	No.	1		
K	Repair/ replacement of faulty wiring	Item1	1		
L	Allow for contingecies and testing to full functionality	LS	1		
M	Remove exisitng, Supply and Install new Control Panel, 7.5KW, 3PH	No.	1		
TOTAL CARRIED TO SUMMARY					
BILL No.3: CONSTRUCTION OF 50 CUBIC METRES MASONRY TANK					
3.1	Foundation				
A	Excavate over site and remove top soil to an average depth of 150mm	SM	30.2		

Tender Document for Rehabilitation works at Sheikh Barrow borehole in Lafey Subcounty, Mandera County.

B	Excavation for foundation in from stripped level but not exceeding 1.5m deep and Cart away	SM	13.6		
C	300mm thick hand packed (stones) Hardcore well rolled and rammed	SM	30.2		
D	50mm lean concrete (1:4:8) blinding	SM	30.2		
E	Supply, cut and fix Y12 bars for reinforcement include for binding wire	KG	592		
F	150mm thick reinforced concrete class 20/20 for foundation slab. (Include for formwork to the sides of the slab)	CM	5		
G	30mm thick water proof cement: sand (1:2) mortar screed to directed slope	SM	26		
3.2	Wall				
A	Provide and construct a 225mm thick Masonry Walls in 1:3 waterproof cement: sand mortar circular in plan.	SM	51		
B	Provide and fix D10mm diam.s bars Reinforcements for the walls in between courses as detailed.	KG	290		
C	20mm thick 1:2 water proof limed cement /sand mortar plaster to wall in three courses of 5mm,5mm and 10mm to both internal and external surfaces of tank	SM	283		
D	25mm thick bondex or silant "sika" at the interface of the wall and slabs	KG	20		
E	25mm Waterproof cement	KG	15		
F	Lime	KG	15		
3.3	Top Cover Slab				
A	150mm thick reinforced concrete class 20/20 for on roof slab (Include for shuttering).	CM	5		
B	Reinforcement for Top Cover Slab Y10bars	KG	315		
C	20mm thick cement: sand (1:3) mortar screed on slab as per the directed slope.	SM	40		
3.4	Inlet and Outlet Pipework				
A	75mm Dia G.I Pipe Class B	No.	4		
B	75mm Dia G.I Class B Elbows	No.	8		
C	75mm DiaBacknuts	No.	4		
D	75mm Dia sluice Valves	No.	3		
E	75mm Valve Sockets	No.	4		
3.5	Paints to Tank				

A	White paint to outside of wall three coats mixed with lime	SM	51		
B	Bituminous paint to inside of wall	SM	51		
C	Black gloss paint on plinth area	SM	10		
D	Provide branding and paintwork with Islamic Relief Logo and Project details	ITEM	1		
3.6	Valve Chambers				
A	Construct 1200 x 1200 x900 Valve Chambers with Lockable Steel cover at Inlet and outlet control gate valves	No.	2		
B	Provide and fix both internal and external access ladders	No.	2		
C	Provide and fix tank breather pipes	No.	2		
TOTAL CARRIED TO MAIN SUMMARY					
BILL No. 4: REPAIR OF 2 No. ANIMAL TROUGHS					
4.1	Hack and demolish existing wall finishes on internal,external walls and floor surfaces including deep cracks and cart away debris.	Item	1		
4.2	Inject cement mortar to all hacked deep cracks and fix with chicken wire and plaster (1:3)	SM	9		
4.3	25mm thick plaster, cement and sand mortar (1:3) to floor with water proof cement steel trowelled to smooth finish.	SM	8		
4.4	15mm thick plaster, cement and sand mortar (1:3) to internal side of walls with water proof steel trowelled to smooth finish.	SM	10		
4.5	12mm thick plaster, cement and sand mortar (1:3) to external side of walls	SM	17.1		
4.6	Hack and provide 75mm thick C20 mass Concrete benching laid to appropriate fall on all directions at animal stepping platform.	SM	23		
Total for the Rehabilitation of 1 No. Trough (A)					
Total for the Rehabilitation of 2 No. Troughs (B)					
TOTAL CARRIED TO MAIN SUMMARY (B)					
BILL No. 5: CONSTRUCTION OF 1 WATER KIOSK					
5.1	Excavation and Earthworks				
A	General excavation to remove top soil to an average depth of 250mm	SM	17		
B	Excavation for wall footing depth not exceeding 1200mm deep	CM	10		

C	Ditto to column bases	CM	7		
D	Excavation for front area depth not exceeding 250mm	CM	2		
E	Backfill and ram	CM	10		
F	Cart away surplus excavated material and deposit at recommended area.	CM	2.5		
G	300mm thick approved hardcore, well compacted in layers not exceeding 150mm and blinded using 50mm murrum/ quarry dust	SM	12		
H	Gauge 1000 polythene Damp proof 50mm murrum blinding	SM	12		
5.2	Masonry Work				
A	200mm thick natural stone walling to substructures in 1:3 sand/cement mortar. Rate to include hoop iron reinforcement at every course.	SM	12		
B	200mm thick natural stone walling to superstructures in 1:3 sand/cement mortar. Rate to include hoop iron reinforcement at every course.	SM	16		
C	200mm wide ventilation blocks	SM	0.5		
D	150mm wide DPM to walls	No.	13		
5.3	Concrete Work				
A	Concrete grade 20/20 - 400 mm thick to Plinth	CM	0.3		
B	Concrete grade 20/20 - 100mm thick slanting front area	CM	0.6		
C	Reinforced concrete grade 25/20 - 125mm thick floor slab	CM	1.4		
D	Reinforced concrete grade 20/20 - 150mm thick roof slab	CM	2		
E	Reinforced concrete grade 20/20 to strip footing	CM	1.1		
F	Reinforced concrete grade 25/20 to column base	CM	3		
G	Reinforced concrete grade 25/20 to columns	CM	1.4		
H	Reinforced concrete grade 25/20 to beam	CM	1.3		
5.4	Concrete Ancillaries				
A	Sawn formwork to Sides of strip footing	SM	6		
B	Sawn formwork to Edges ground slab 125mm wide	LM	14		
C	Sawn formwork to sides and Soffits of 400mm deep plinth	SM	2		
D	Sawn formwork to edges of roof slab	LM	14		
E	Sawn formwork to Underneath roof slab, including props	SM	11		

F	Sawn formwork sides and soffits of beam 450mm deep	SM	6		
G	A142 mild steel reinforcement	SM	15		
H	8mm reinforcement bars	KG	60		
I	10mm reinforcement bars	KG	34		
J	12mm reinforcement bars	KG	50		
K	16mm reinforcement bars	KG	60		
5.5	Doors and Windows				
A	1000x2000mm steel door including locks and hinges to details	No.	1		
B	1000x1000mm steel swing window including locks and hinges to details	No.	1		
C	Built in table with two lockable drawers	No.	1		
D	Meter Box 220x220x300mm Lockable	No.	1		
5.6	Pipe and Fittings				
	<u>All pipes to be galvanised iron with screw</u>				
A	32mm inlet pipe	m	10		
B	32mmdia. Elbows	No.	4		
C	32 mm dia. Valve sockets	No.	2		
D	32mm dia. Gate Valve as Peglar	No.	2		
E	32x20mm Reducing Tee	No.	4		
F	32mm end Plug	No.	1		
G	32mm union	No.	4		
H	32mm short nipple	No.	2		
I	20mm union	No.	4		
J	20mm short nipple	No.	8		
K	20mm ball valve	No.	1		
L	20mm elbow	No.	4		
M	32mm Peglar or approved Water Meter	No.	1		
N	20mm dia. Gate valve as Peglar	No.	4		
5.7	Finishes				
A	Plastering to all masonry and concrete surfaces (internally and externally)	SM	32		
B	Provide three coats of gloss plant to all plastered surfaces	SM	32		
5.8	Drainage and Water Supply				
A	<u>Catch pit</u>				

1	Excavate for 400mm squarex900mm catch pit to detail	CM	0.2		
2	100mm thick block lining to the sides of the catch pit	SM	2		
3	100mm thick mass concrete for catch pit base slab	CM	0.1		
4	20mm thick plaster mixed with Sika or equivalent water proofing admixture to walls surfaces internally	SM	2		
5	Catch pit grating made from welded sections to form 25mm square mesh on 50mm steel frame.	Item	1		
B	<u>Soak Pit</u>				
1	Prepare site by stripping top 150mm of soil to remove al debris including sand (if any) from site and carting away spoil	SM	1		
2	Pit excavation commencing at reduced leels depth not exceeding 1.50m deep.	CM	1.5		
3	Ditto 1.50 - 3.00 metres deep	CM	1.5		
4	Remove surplus excavated material from site	CM	3		
5	Graded approved free draining hard-core/ rubble stone filling the soak pit	CM	1		
6	100mm thick cover slab	CM	0.2		
7	10mm reinforcement bars	KG	13		
8	Sawn formwork to sides and soffits of slab	SM	1.4		
9	200mm Drainage PVC pipe for inlet and outlet connections including adjoining fittings	LM	10		
C	<u>Plastic Tank with Shade</u>				
1	Provide and install 5000L approved plastic tank on top of the kiosk roof complete with all fitting (its nipples, back nuts and float/ball valve) and associated piping.	No.	1		
2	Provide shade structure (duo-pitch roof) above the plastic tank made of 4 No. 2" CHS R-tubes anchored on the 4 corners of the roof slab to support roof structure made of roofing sheets fixed to structural timber rafters and purlins. Affix 200mm wide fascia board on the sides of the roof coated with 2 coats of IR blue gloss paint. Cost to include concrete anchorage/grouting of the CHS columns into roof slab	Item	1		
3	Provide for branding with IRK Logo and wording as will be directed by the Engineer on both tank and Water Kiosk.	Item	1		
TOTAL CARRIED TO GRAND SUMMARY					
BILL No. 6: WATER SUPPLY PIPING					

6.1	Rising Main from the Borehole to New Masonry Tank					
A	Excavate and backfill pipeline trench (after laying of pipe) 450mm wide and between 0.6m and 1.5m deep. Cost to include excavations in rocky formations.	LM	100			
B	Provide and lay HDPE pipe PN 16 DN 75	LM	100			
C	Supply of assorted fittings and other accessories	Item	1			
D	Provide single orifice air valve complete with fittings	No.	1			
E	Provide 3" non-return valve	No.	2			
F	Construct 1200 x 1200 x900 Valve Chambers with Lockable Steel cover at storage tanks connection complete with control gate valves and adjoining fittings	No.	2			
G	Allow for a lump sum amount to cater for contingencies, disinfection, testing and commissioning of the system	Item	1			
	CARRIED TO COLLECTION					
6.2	Rising Main from the Borehole to New Water Kiosk					
A	Excavate and backfill pipeline trench (after laying of pipe) 450mm wide and between 0.6m and 1.5m deep. Cost to include excavations in rocky formations.	LM	200			
B	Provide and lay HDPE pipe PN 16 DN 50	LM	200			
C	Supply of assorted fittings and other accessories	Item	1			
D	Provide single orifice air valve complete with fittings	No.	1			
E	Provide 3" non-return valve with respective Inspection Chamber	No.	1			
F	Construct 1200 x 1200 x900 Valve Chambers with Lockable Steel cover at storage tanks connection complete with control gate valves and adjoining fittings	No.	2			
G	Allow for a lump sum amount to cater for contingencies, disinfection, testing and commissioning of the system	Item	1			
	CARRIED TO COLLECTION					
6.3	Distribution line from New Masonry Tank to 2 No. Animal Troughs and Tapstand					
A	Excavate and backfill pipeline trench (after laying of pipe) 450mm wide and between 0.6m and 1.5m deep. Cost to include excavations in rocky formations.	LM	150			
B	Provide and lay HDPE pipe PN 10 DN 50	LM	150			
C	Supply of assorted fittings and other accessories	Item	1			

E	Construct 1200 x 1200 x900 Valve Chambers with Lockable Steel cover at storage tanks connection complete with control gate valves and adjoining fittings	No.	2		
F	Allow for a lump sum amount to cater for contingencies, disinfection, testing and commissioning of the system	Item	1		
CARRIED TO COLLECTION					
6.1	RISING MAIN FROM THE BOREHOLE TO NEW MASONRY TANK				
6.2	RISING MAIN FROM THE BOREHOLE TO NEW WATER KIOSK				
6.3	DISTRIBUTION LINES FROM MASONRY TANK TO 2 ANIMAL TROUGHS				
TOTAL CARRIED TO MAIN SUMMARY					
MAIN SUMMARY OF PROJECT COMPONENTS					
BILL	DESCRIPTION				AMOUNT
1	PROJECT SIGNBOARD				
2	REPAIRS OF THE EXISTING 1 No. GENSET				
3	CONSTRUCTION OF 50 CUBIC METRES MASONRY TANK				
4	REPAIR OF 2 No. ANIMAL TROUGHS				
5	CONSTRUCTION OF 1 WATER KIOSK				
6	WATER SUPPLY PIPING				
Sub-Total					
Add VAT 16%					
TOTAL FOR FOR REHABILITATION WORKS AT SHEIKH BARROW BOREHOLE IN LAFEY SUBCOUNTY, MANDERA COUNTY					

Name of Bidder: _____

Authorized signature: _____

Name of Authorized signatory: _____

Functional Title: _____

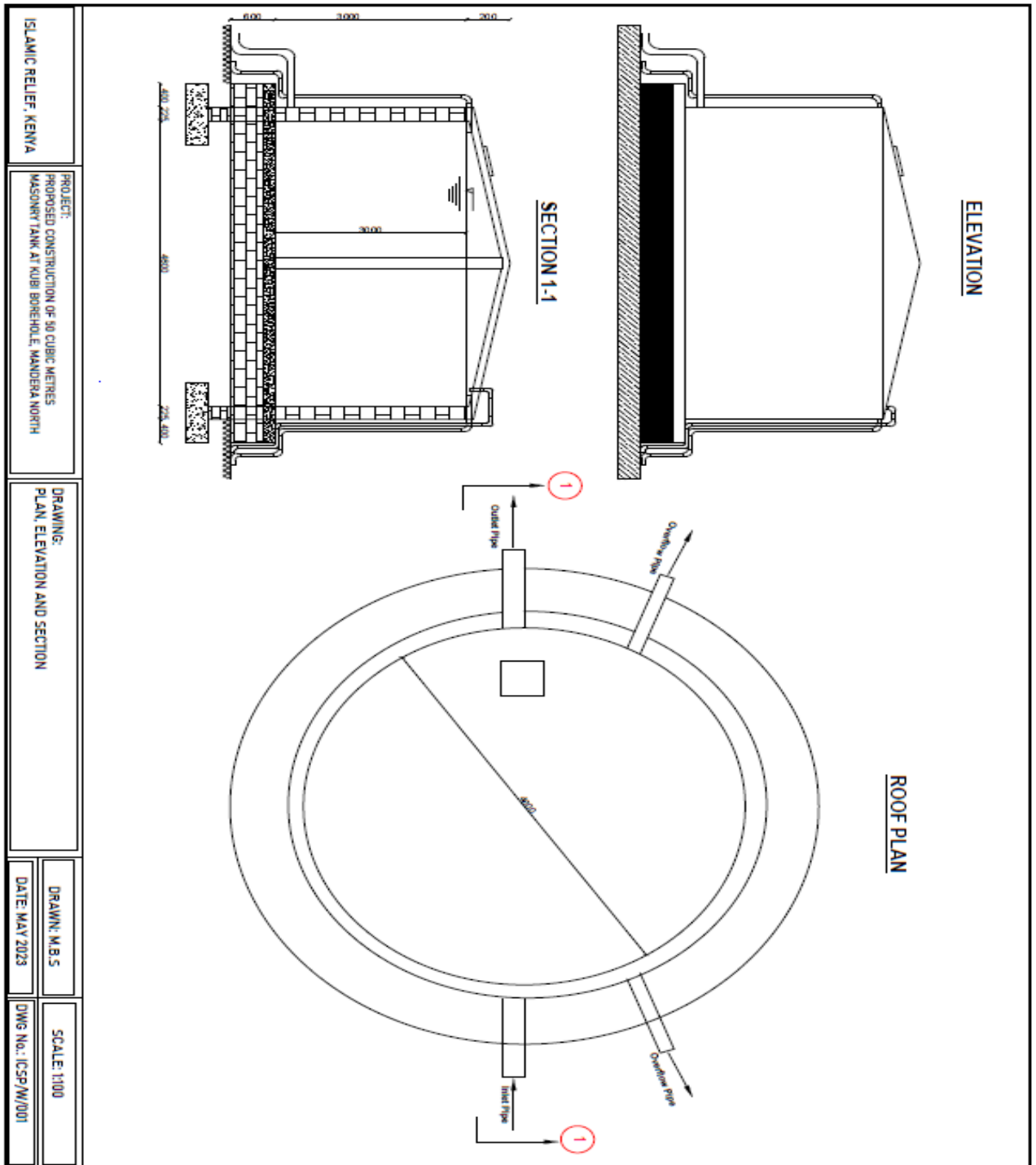
Telephone Number: _____

Email Address: _____

Date: ___/___/2024

Official Stamp:

DRAWINGS



ISLAMIC RELIEF, KENYA	
PROJECT: PROPOSED CONSTRUCTION OF 50 CUBIC METRES MASONRY TANK AT KIBI BOREHOLE, MANDERA NORTH	
DRAWING: PLAN, ELEVATION AND SECTION	
DRAWN: M.B.S	SCALE: 1:100
DATE: MAY 2023	DWG NO.: ICSP/W/001

PHOTOS- GENSET



Figure 1: Model Sticker





Tender Document for Rehabilitation works at Sheikh Barrow borehole in Lafey Subcounty, Mandera County.